

Adapted to your needs

Tufvassons have a wide range of transformers and over fifty years' experience of making them ourselves. Within the Testing area we develop power supply for testing equipment. It might, for example, be a rotary transformer for internal installation, as well as sealed versions for laboratory use. We are not satisfied until we have developed a product that meets all the requirements set by your testing equipment.



1-phase rotary transformer for testing equipment

The transformer is called an autotransformer, which means that it doesn't have separate windings. The winding consists of double-varnished wire mounted on a robust frame together with a carbon brush. The transformer enables stepless voltage control with retained sine shape. It is highly efficient and electromagnetic interference is completely avoided. Just like other products from Tufvassons, the transformer is easy to install. It is mounted on a panel or in a chassis by means of four screws.

Type:	OIEA 3	
Part. no.:	9854-0028	
Input voltage:	230V	
Output voltage:	0-260V	
Frequency:	50-300Hz	
Load:	max 3.0 A	cont. 2.8 A
Weight:	3.3 kg	
Encapsulation class:	IP00	
Ambient temperature:	max 45°C	
Insulation test:	2.5 kV	
Design:	<ul style="list-style-type: none"> - Autotransformer wound with double-varnished wire. - Winding and carbon brush mounted on a robust frame. - Knob with scale 0-100 supplied. - Easily replaceable carbon brush. 	
Mounting:	Panel or chassis mounting with four screws.	
Manufacturing standard:	Safety	EN 61558-1; EN 61558-2-14
	Emissions:	EN 61 000-6-3; EN 61 000-6-4, IEC 62041
	Immunity:	EN 61 000-6-1; EN 61 000-6-2, IEC 62041



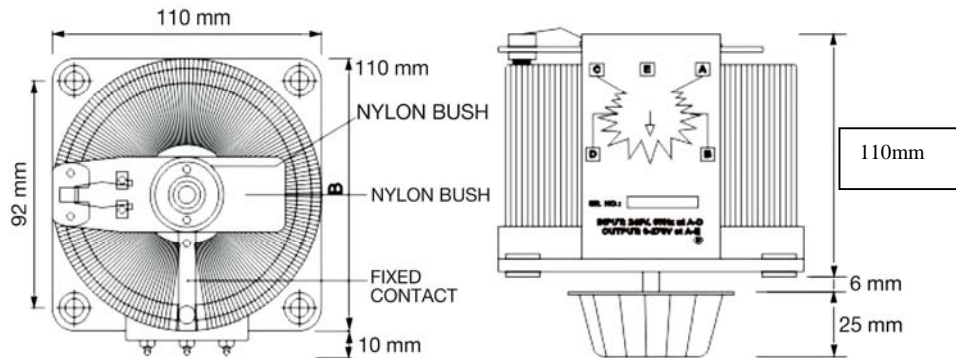
02/17



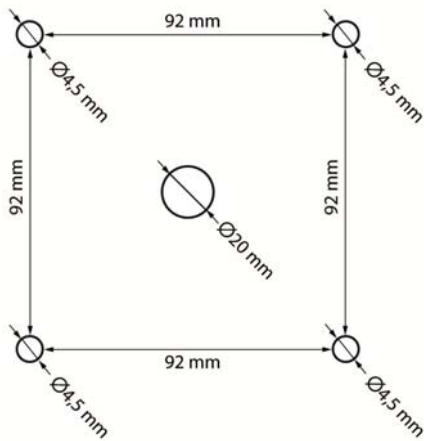
Tufvasson Tesch AB · Märstavägen 20 · 193 40 Sigtuna · Tel 08-594 809 00 · Fax 08-592 52 768
E-post order@tufvassons.se · www.tufvassons.se

Ett företag inom ADDTECH-koncernen.

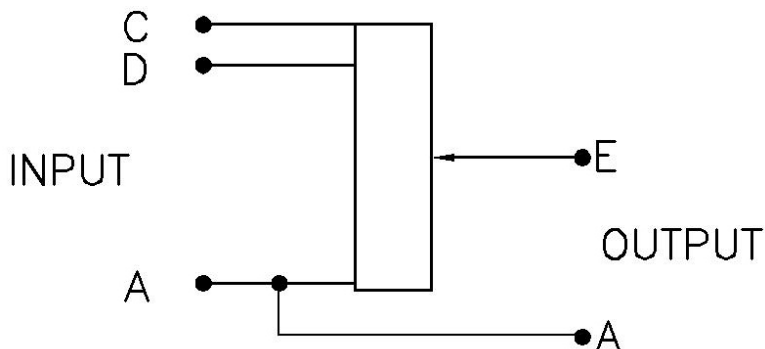
Dimensional drawing



Hole pattern



Wiring diagram



Connection 230V on A – C
delivers max. 230V output A – E.

Connection 230V on A – D
delivers max. 260V output A – E.



02/17



Tufvasson Tesch AB · Märstavägen 20 · 193 40 Sigtuna · Tel 08-594 809 00 · Fax 08-592 52 768
E-post order@tufvassons.se · www.tufvassons.se

Ett företag inom ADDTECH-koncernen.