

**FEATURES**

- ✘ Variety of actuator lengths
- ✘ Optional ground pin
- ✘ Cap options

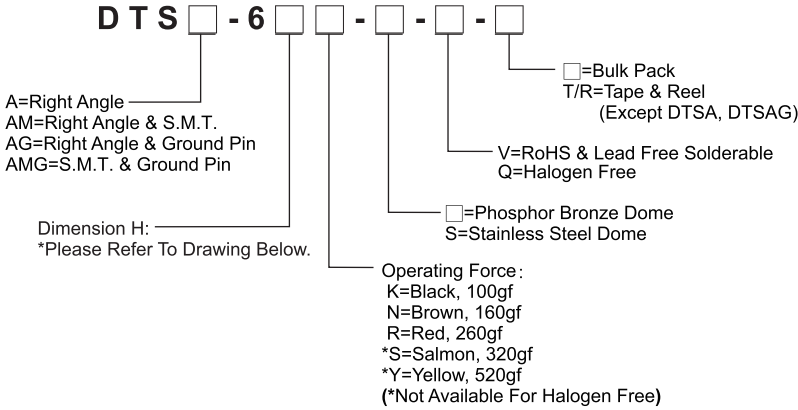
**APPLICATION**

- ✘ Audio, OA equipment
- ✘ Instrumentation
- ✘ Setup box

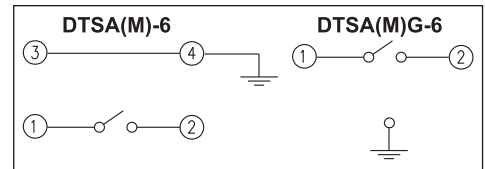
**SPECIFICATION**

|                       |   |
|-----------------------|---|
| Contact Rating        | 50mA, 12V DC  |
| Contact Resistance    | 100mΩ max.  |
| Insulation Resistance | 100MΩ min. 500V DC  |
| Dielectric Strength   | 250V AC/1 minute  |
| Operating Force       | 100±50gf, Black(K)<br>160±50gf, Brown(N)<br>260±50gf, Red(R)<br>320±80gf, Salmon(S)<br>520±130gf, Yellow(Y)               |
| Travel                | 0.25mm  |
| Operating Life        | <b>Phosphor Bronze Dome</b><br>50,000 cycles for 520/320gf<br>100,000 cycles for 260gf<br>200,000 cycles for 160/100      |
|                       | <b>Stainless Steel Dome</b><br>300,000 cycles for 520/320gf<br>500,000 cycles for 260gf<br>1,000,000 cycles for 160/100gf |
| Operating Temp.       | -25°C ~ +70°C   |
| Storage Temp.         | -30°C ~ +80°C   |

**HOW TO ORDER**



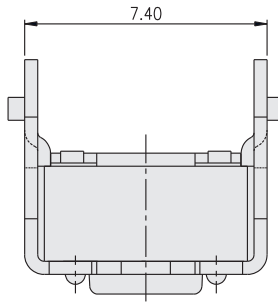
**CIRCUIT**



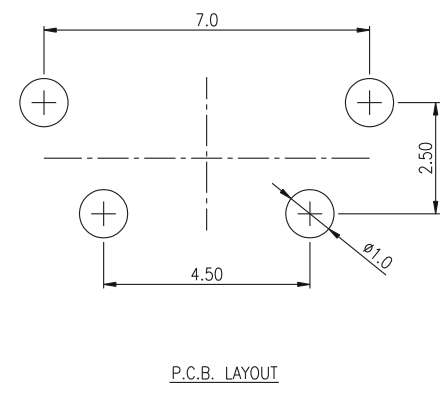
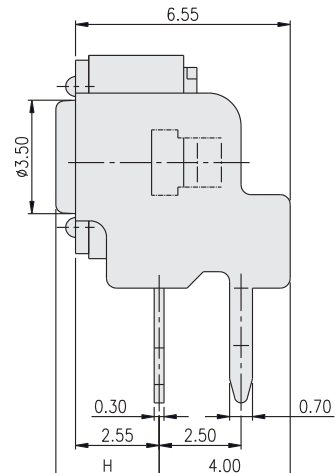
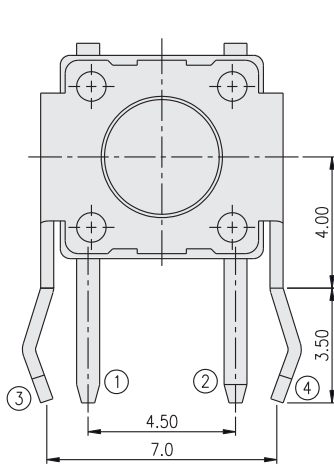
**PACKAGE**

- <Bag>  
DTSA(G)-6: 500 pcs
- <Tape & Reel>  
DTSAM-61, 62, 63: 500 pcs/reel  
DTSAMG-61, 62: 500 pcs/reel  
DTSAMG-63, 64, 65: 380 pcs/reel

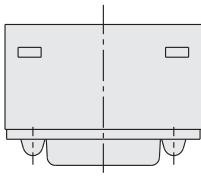
**DTSA-6**



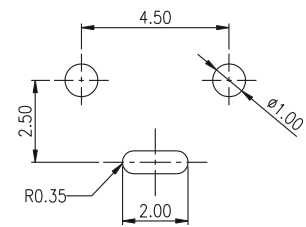
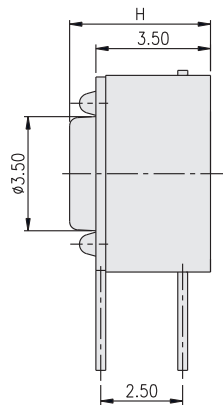
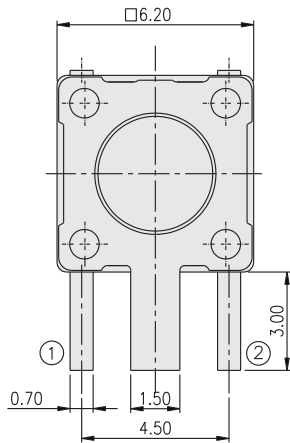
| PART NO. | H             |
|----------|---------------|
| DTSA-61  | 3.15          |
| DTSA-62  | 3.85          |
| DTSA-63  | 5.85          |
| DTSA-644 | 6.15(SQ.2.40) |
| DTSA-648 | 6.15(SQ.2.80) |
| DTSA-65  | 8.35          |
| DTSA-66  | 11.85         |



**DTSAG-6**



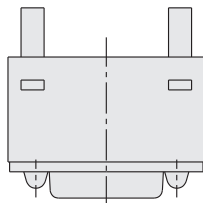
| PART NO.  | H             |
|-----------|---------------|
| DTSAG-61  | 4.30          |
| DTSAG-62  | 5.00          |
| DTSAG-63  | 7.00          |
| DTSAG-644 | 7.30(SQ.2.40) |
| DTSAG-648 | 7.30(SQ.2.80) |
| DTSAG-65  | 9.50          |
| DTSAG-66  | 13.00         |



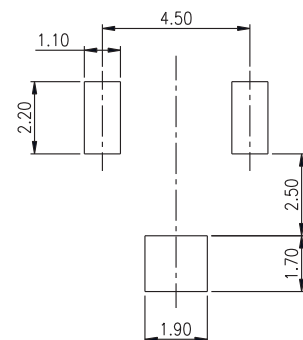
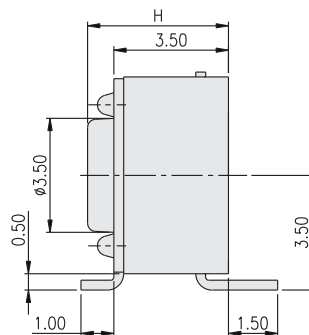
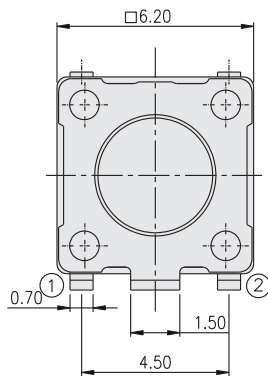
P.C.B. LAYOUT

TACT SWITCH

**DTSAMG-6**

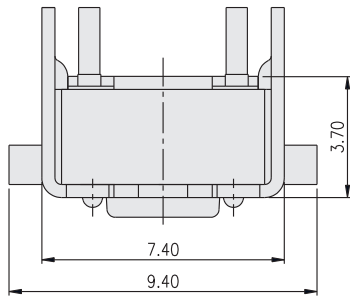


| PART NO.   | H             |
|------------|---------------|
| DTSAMG-61  | 4.30          |
| DTSAMG-62  | 5.00          |
| DTSAMG-63  | 7.00          |
| DTSAMG-644 | 7.30(SQ.2.40) |
| DTSAMG-648 | 7.30(SQ.2.80) |
| DTSAMG-65  | 9.50          |
| DTSAMG-66  | 13.00         |



P.C.B. LAYOUT

DTSAM-6



| PART NO.  | H             |
|-----------|---------------|
| DTSAM-61  | 3.60          |
| DTSAM-62  | 4.30          |
| DTSAM-63  | 6.30          |
| DTSAM-644 | 7.30(SQ.2.40) |
| DTSAM-648 | 7.30(SQ.2.80) |
| DTSAM-65  | 8.80          |

