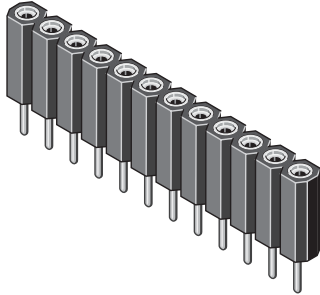


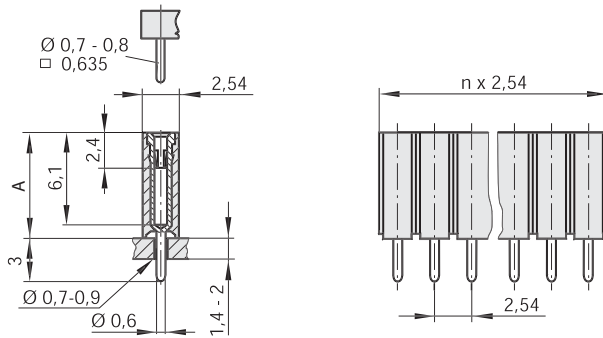
FEMALE HEADER „PRECISION“
ID: 115 BL 10-XX

Series 431



TECHNICAL DATA

Pitch	2,54 mm
Insulating Material	high temp. thermoplast UL94V-0
Contact Material	Brass/BeCu
Rated Current	3 Amp.
Rated Voltage	100 V _{RMS} /150 V _{DC}
Withstanding Voltage	min. 1000 V _{RMS}
Operating Temperature	-55°C to +125°C
Maximum Soldering Temperature	260°C for 10 seconds



Code	A
	7,00
800	8,00
850	8,50

All dimensions in mm.
 Other dimensions upon request.

