

# DYNAMIC SPEAKER

Customer	
Customer P/O	
BeStar Model Name	BMS-4011
Product No.	1327
Issue No.	BS/TES01.025A
Issue Date	01/11/12

## Approval:

- 1.Characteristic
- 2.Dimension
- 3.Environmental Test
- 4.Appearance
- 5.Frequency Response
- 6.Packing



BESTAR ELECTRONICS INDUSTRY CO.,LTD  
TianAn Industry Park4/F,Site B ChangZhou New District  
Tel:86-519-5103228  
Fax:86-519-5131010  
E-Mail:wu@be-star.com  
Http:www.be-star.com

This print and information there in are proprietary to Bestar Electronics Industry Co., Ltd. and shall not be used in whole or in part without its written content.

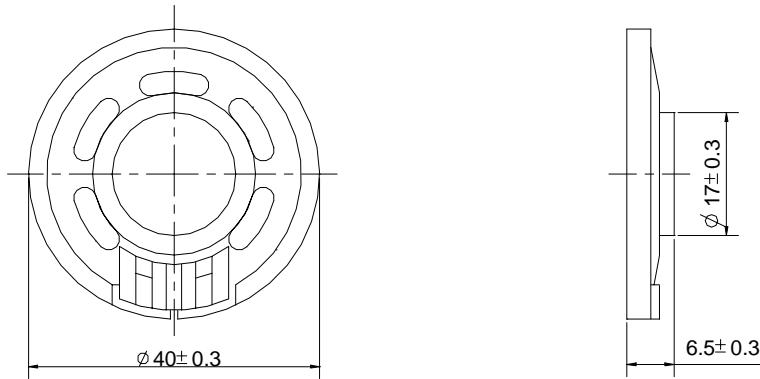
# BMS-4011

## 1. Characteristic

### Electrical and Mechanical Characteristics

Type	BMS4011-08	BMS4011-16	BMS4011-32
Rated Impedance( ohm)	8± 15%	16± 15%	32± 15%
Rated Power(W)	0.15		
max Power(W)	0.3		
Resonant Frequency(Hz)	450± 20%		
Rated Freq.Range(Hz)	f0 ~3500		
Sound Pressure Level(dB)	82± 3		
Magnet(g)	0.6		
operating Temperature(° C)	-10-40		

## 2.Dimension



DIS.		DATE		Page:1 of 3	BMS-4011
CHEC.		DATE		3rd angle projection	
APPR.		DATE			Speaker
 <b>BESTAR ELECTRONICS INDUSTRY CO.,LTD</b> TianAn Industry Park 4/F,Site B ChangZhou New District E-Mail:bestarco@ pub.cz.jsinfo.net Http:www.be-star.com					DRG NO BS/TES01.025A

This print and information there in are proprietary to Bestar Electronics Industry Co., Ltd. and shall not be used in whole or in part without its written content

## BMS-4011

### 3.Environmental Test

#### 3.1 Load Test

Power input 0.15W,pink noise  
Duration 24hrs

#### 3.2 Heat Test

Temperature  $+40\pm 2^{\circ}\text{C}$   
Duration 16hrs

#### 3.3 Cold Test

Temperature  $-10\pm 2^{\circ}\text{C}$   
Duration 2hrs

#### 3.4 Moisture Test

Temperature  $+40\pm 2^{\circ}\text{C}$   
Humidity 90%-95%RH  
Duration 48hrs

Speakers can be inspected after leaving in normal temperature for 2hrs. After each test, all electrical and acoustic characteristics should be satisfied with the specification.

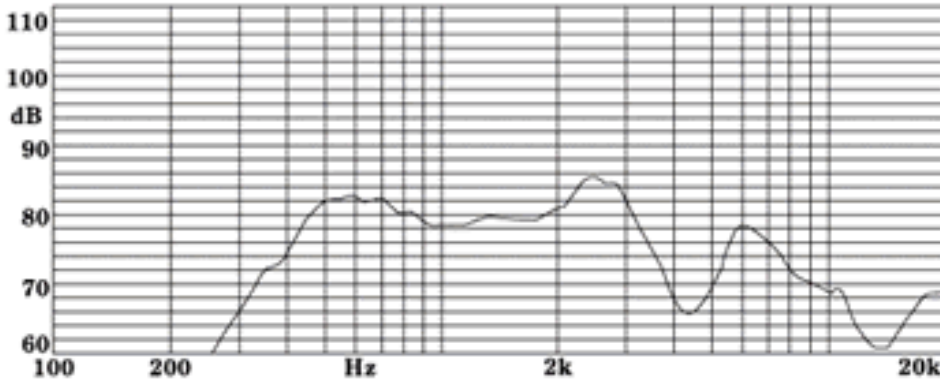
### 4.Appearance

Apearance: The speaker should not exist any obstacle to normal operation: damage, crack, rust and distortion etc.

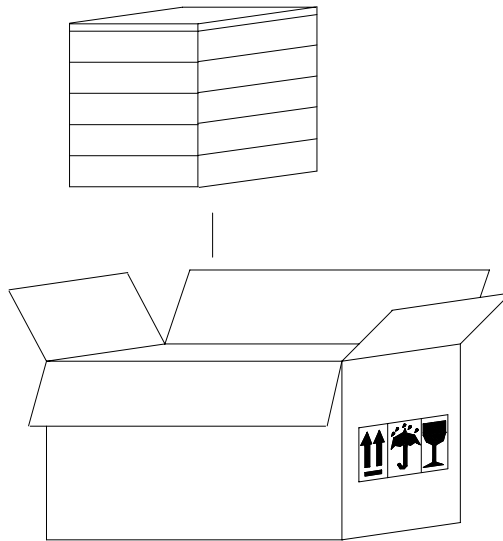
DIS.		DATE		Page:2 of 3	BMS-4011
CHEC.		DATE		3rd angle projection	
APPR.		DATE			Speaker
 <b>BESTAR ELECTRONICS INDUSTRY CO.,LTD</b> TianAn Industry Park 4/F,Site B ChangZhou New District E-Mail:bestarco@ pub.cz.jsinfo.net Http:www.be-star.com					DRG NO BS/TES01.025A

## BMS-4011

### 5. Frequency Response



### 6. Packing



Remark:

100 pcs per tray  
 10 trays per carton  
 Total 1000pcs per carton  
 Size: 50×27×26(cm)

This print and information therein are proprietary to Bestar Electronics Industry Co., Ltd. and shall not be used in whole or in part without its written content

DIS.		DATE		Page: 3 of 3 3rd angle projection	BMS-4011
CHEC.		DATE			Speaker
APPR.		DATE			DRG NO BS/TES01.025A
 <b>BESTAR ELECTRONICS INDUSTRY CO.,LTD</b> TianAn Industry Park 4/F,Site B ChangZhou New District E-Mail:bestarco@ pub.cz.jsinfo.net Http:www.be-star.com					