



# Leadshine

## Datasheet of the Power Supplies for Stepper System

**LSP-260-24, LSP-360-24, LSP360-36, LSP-360-48, LSP-400-60**



**120/230VAC input, 24V/36V/48V/60VDC output**

**Revision 1.0**

**©2020 Leadshine Technology Co., Ltd.**

**Address:** Floor 11, Block A3, Nanshan iPark, Xueyuan Avenue 1001, Shenzhen, Guangdong, 518055, China

**Tel:** (86)755-26409254

**Fax:** (86)755-26402718

**Web:** [www.leadshine.com](http://www.leadshine.com)

**Sales:** [sales@leadshine.com](mailto:sales@leadshine.com)

**Support:** [tech@leadshine.com](mailto:tech@leadshine.com)

## Features

- 1.8-multiple of current overload
- Compact Size, Light in Weight
- Use Switch to select input voltage 230VAC or 120 VAC
- Short Circuit, Over Load Protections
- Big Power with High Efficiency
- CE and RoHS

## Electrical Specifications

Model	LSP-260-24	LSP-360-24	LSP-360-36	LSP-360-48	LSP-400-60	
OUTPUT	DC VOLTAGE	24V	24V	36V	48V	60V
	RATED CURRENT	10.8A	15A	10A	7.5 A	6.7A
	PEAK CURRENT	19.4A	27A	18A	13.5A	12A
	RATED POWER	260W	360W	360W	360W	400W
	PEAK POWER	468W	648W	648W	648W	720W
	LINE REGULATION	± 0.5%				
	ADJ. RANGE	± 10%				
	RISE TIME	50ms/230VAC at full load				
	HOLD TIME	20ms/230VAC at full load				
INPUT	VOLTAGE RANGE	184-276VAC or 92-138VAC, selected by switch				
	FREQUENCY RANGE	47-63Hz				
	INRUSH CURRENT	40A/230VAC, Cold Start				
	LEAKAGE CURRENT	<0.5mA/230VAC				
	WITHSTAND VOLTAGE	Vin-Vout: 1500VAC/min, Vin-FG: 1500VAC/min, Vout-FG: 500VAC/min				
PROTECTION	SHORT CIRCUIT	Protection Type: Output shunt down, need to turn off the input to reset.				
	OVER LOAD	180%-220% (5S) Protection Type: Output shunt down, need to turn off the input to reset.				
ADJUSTABLE OUTPUT VOLTAGE(VDC)		± 10%				
DIMENSION (mm)		199*110*50			215*115*30	
WEIGHT		800.4g (28.23oz)			700.5g (24.70oz)	

## Operating Environment and Parameters

Cooling	Natural cooling or forced cooling	
Operating Environment	Environment	Avoid dust, oil fog and corrosive gases
	Working Temperature	-20°C — 50°C, >50°C Fan turn on(if have), <45°C Fan turn off
	Humidity	20 — 90%RH
Storage Temperature	-20°C — 85°C	

## Mechanical specification

Unit=mm, 1 inch = 25.4 mm

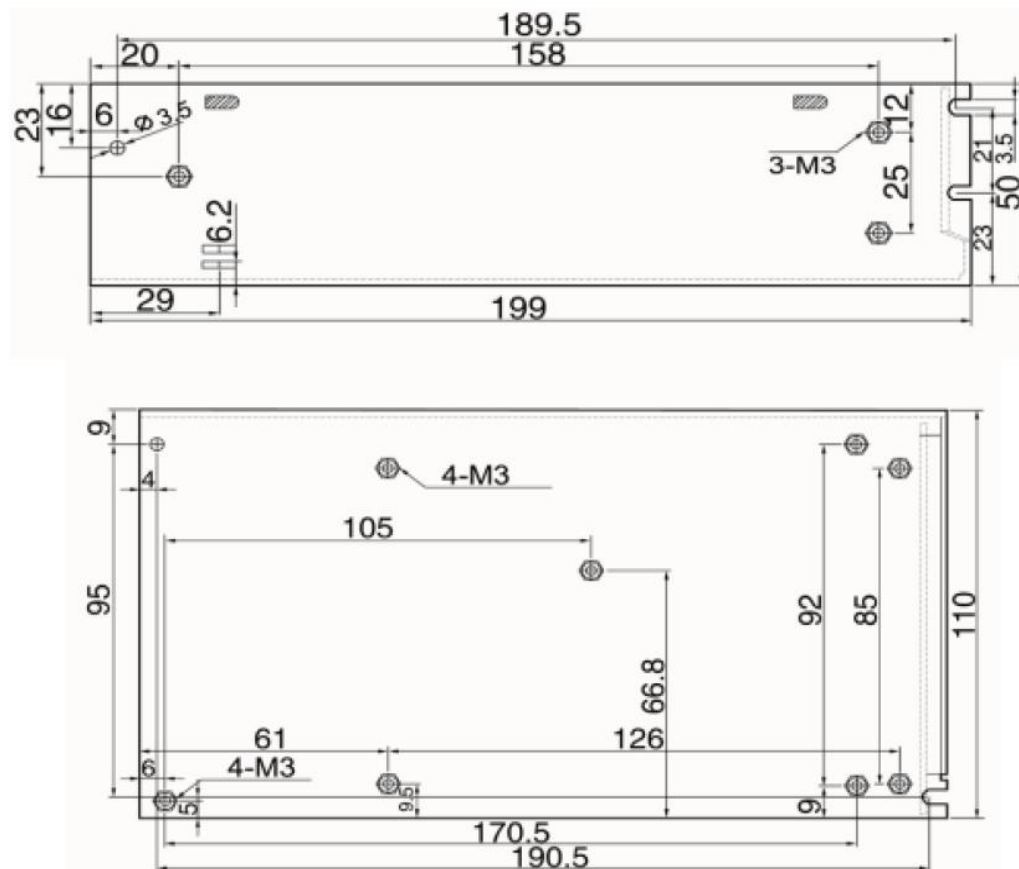


Figure 1: LSP-260-24 Mechanical Specification

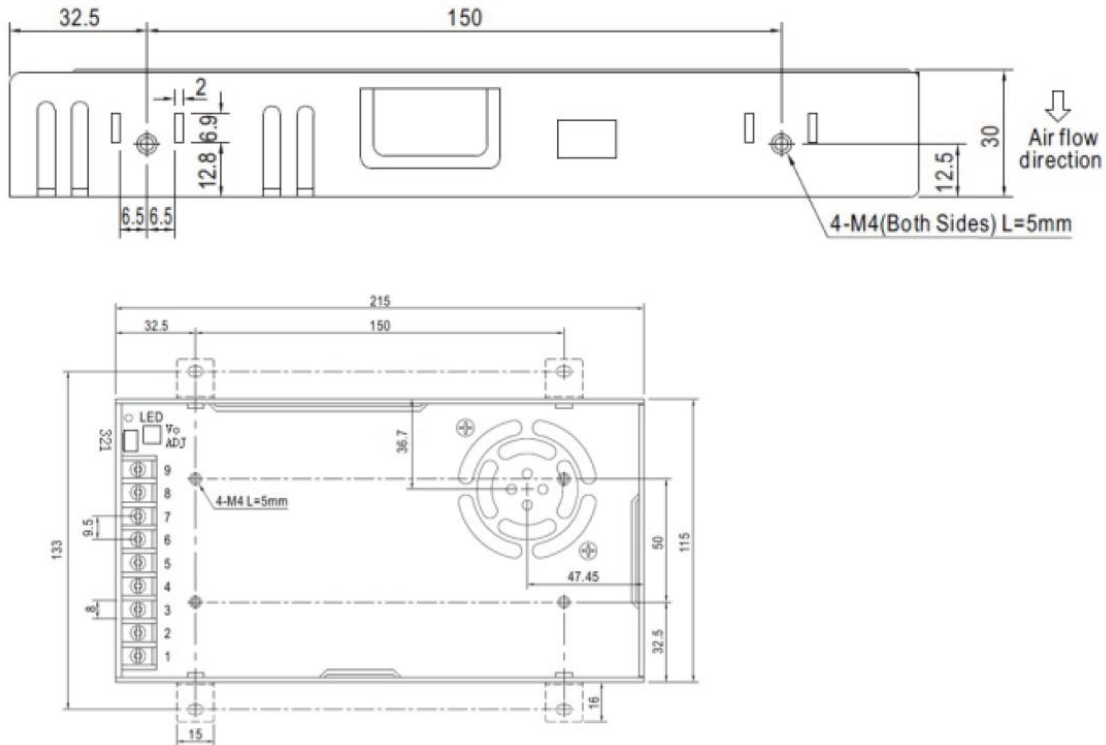



Figure 2: LSP-360-24, LSP360-36, LSP-360-48, LSP-400-60 Mechanical Specification

### Pin Assignment and Description

Pin	Description
L	AC power input
N	
	Ground terminal. Recommend connect this port to the ground for better safety.
COM	DC output negative
+V	DC output positive

### Order Information

Model	Description
LSP-260-24	260W, 24VDC regulated switching power supply. Input: 184-276VAC or 92-138VAC
LSP-360-24	360W, 24VDC regulated switching power supply. Input: 184-276VAC or 92-138VAC
LSP360-36	360W, 36VDC regulated switching power supply. Input: 184-276VAC or 92-138VAC
LSP-360-48	360W, 48VDC regulated switching power supply. Input: 184-276VAC or 92-138VAC
LSP-400-60	400W, 60VDC regulated switching power supply. Input: 184-276VAC or 92-138VAC