

DP30 Multi-channel Probed Thermometer Sensor

Manual (EN)

The logo for froggit.de, featuring the word "froggit" in a bold, lowercase sans-serif font, followed by ".de" in a smaller, regular lowercase sans-serif font. The entire logo is set against a light beige rectangular background.

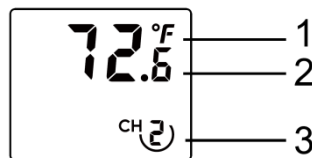
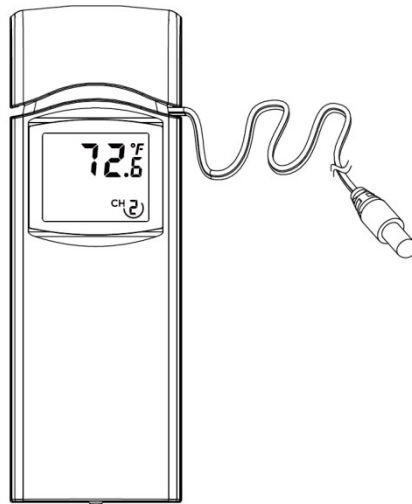
Support/updates/manuals/spare parts/compatible products:
www.froggit.de

DP30 Wireless Multi-channel Probed Thermometer Sensor

1 Einleitung

This device measures temperature and supports up to 8 channels(one unit for one channel, optional sensors sold separately – visit www.froggit.de). The data can be streamed by DP1500 Wi-Fi Gateway(sold separately) and can be viewed on our WS View mobile application after the Wi-Fi configuration done or by the HP1000SE PRO weather station series.

2 Overview

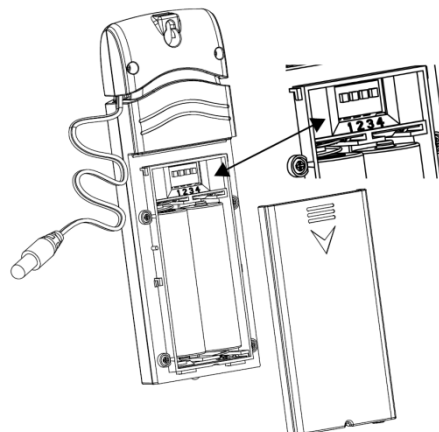


- (1) Temperature units (°F vs. °C)
- (2) Temperature
- (3) Channel number

3 Setup Guide

3.1 Install batteries

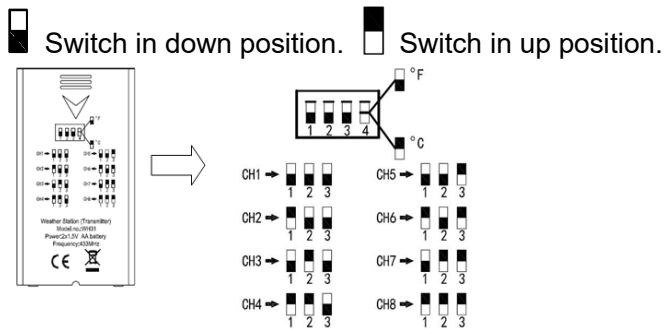
1.Remove the battery door on the back of the transmitter(s) by sliding down the battery door, as shown below.



2. Before inserting the batteries, find the dip switches above the battery compartment and set the channel number and temperature:

Channel Number: This device supports up to eight sensors. To set each channel number, change Dip Switches 1, 2 and 3, as shown below.

Temperature Units: To change the transmitter display units of temperature measure (°F vs. °C), change Dip Switch 4, as shown below.



3. Insert two AA batteries.

4. Verify the correct channel number (CH) and temperature units of measure (°F vs. °C) are on the display.

5. Close the battery door.

Repeat for the additional remote transmitters (sold separately), verifying each remote is on a different channel.

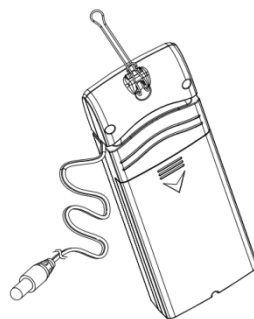
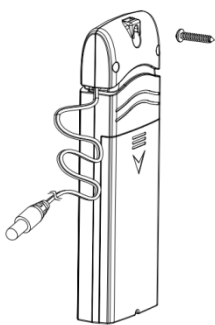
4 Sensor Placement

The best mounting location for the indoor sensor is in a location that never receives direct sunlight, not even through windows. Also, do not install in a location where a nearby radiant heat source (radiator, heaters, etc.) will affect it. Direct sunlight and radiant heat sources will result in inaccurate temperature readings.

The sensor is meant to provide indoor conditions for display on the console, but if you would rather have a second source for outdoor conditions instead, you can mount this unit outside. The unit is weatherproof, but besides heeding the placement instructions above, you should also attempt to mount the unit under cover (eave or awning or similar).

To mount or hang the unit on a wall or wood beam:

- Use a screw or nail to affix the remote sensor to the wall, as shown below, or
- Hang the remote sensor using a string, as shown below.



Note: Make sure the sensor is mounted vertically and not lying down on a flat surface. This will insure optimum reception. Wireless signals are impacted by distance, interference (other weather stations, wireless phones, wireless routers, TVs and computer monitors), and transmission

barriers, such as walls. In general, wireless signals will not penetrate solid metal and earth (down a hill, for example).

5 Setup Guide (using with DP1500 Wi-Fi gateway)

If you want to view the multi channel sensor data on your mobile application, you need to pair this device with our DP1500 Wi-Fi Gateway(sold separately).

5.1 Pair with Gateway

Please follow the tips to pair your sensor(s) with the Wi-Fi Gateway:

- A. Power on the gateway first(with USB connection).
- B. Power on the optional sensor(s).
- C. The RF status indicator of the gateway will light on steady, and light off once when it receives the data from the optional sensor(s) once.
- D. If work normally, you can forward to the Wi-Fi connection operation.

5.2 Wi-Fi Connection for the DP1500 Gateway

For this part, please refer to the manual of the DP1500 Wi-Fi gateway. Any question, please contact the customer service.

6 View Online Data on WS View

When the Wi-Fi configuration is done, you can view the local data of your multi temperature sensor(s) on the WS View application.

< Device List Live Data +	
GW1000A-WIFI2612	
Indoor Temperature	Indoor Humidity
27.7 °C	60 %
Absolute Pressure	Relative Pressure
1012.6 hpa	1012.6 hpa
CH2 Temperature	CH2 Humidity
26.9 °C	63 %
CH3 Temperature	CH3 Humidity
27.0 °C	63 %
CH4 Temperature	CH4 Humidity
27.0 °C	62 %
CH5 Temperature	CH5 Humidity
27.0 °C	63 %
CH6 Temperature	CH6 Humidity
27.5 °C	62 %
CH7 Temperature	CH7 Humidity
27.7 °C	65 %
GW1000A_V1.2.7	

7 Specification

Power: 2 x AA 1,5V batteries(not included)

Frequency: 868 Mhz

Temperature range: -40°C – 60°C (-40°F - 140°F)

Temperature resolution: 0.1°C, or 0.1°F

Temperature accuracy: ± 1°C

8 General safety instructions

Danger of asphyxiation:

Keep all packaging materials (plastic bags, rubber bands, etc.) away from children. There is a danger of suffocation!

Danger of burns:

Caution! Leaking / leaking battery acid can lead to burns! Avoid contact of battery acid with eyes, mucous membranes and skin. In case of contact, rinse the affected areas immediately with clear water and consult a doctor.

Risk of electric shock:

Children must not be unattended with the device, because the device contains electronic parts which are operated by means of a power source. The device may only be used as described in the instructions. If not, there is a risk of electric shock.

Danger of fire & explosion:

Use only recommended batteries. Never short-circuit the unit or batteries. Never throw the device or batteries into a fire! Overheating and improper handling may result in short circuits which can cause fires and explosions.

Important:

If there is a defect, contact your dealer immediately. Never disassemble the device! The dealer will contact the service department. Never expose the device to water! Protect the device from vibrations. Only use recommended batteries. Never mix batteries - Always replace empty batteries with a complete set of full power batteries. If the unit is not powered for a longer period of time or is not in use, remove the batteries from the unit. The manufacturer accepts no liability for incorrectly inserted batteries!



Notes on the return of batteries according to §12 BatterieVO: Batteries do not belong in the household waste. Please dispose of all batteries as required by law, disposal in domestic waste is expressly prohibited. Batteries and rechargeable batteries can be dispensed free of charge at municipal collection points or in the shops on the spot.

This manual may not be reproduced in any form without the written permission of the publisher, even in excerpts.

This manual may contain errors and misprints. However, the information in this manual is regularly reviewed and corrections made in the next issue. We accept no liability for technical errors or printing errors, and their consequences.

All trademarks and copyrights are acknowledged.

www.froggit.de



HS Group GmbH & Co. KG

Escherstr.31
50733 Koeln
Germany

Telefon 0221 / 367 48 05

E-Mail info@hs-group.de

Registergericht Amtsgericht Koeln
HRA 26493

Komplementaer: HS Group
Verwaltungsgesellschaft mbH

Sitz Koeln

Registergericht Amtsgericht Koeln
HRB 64734

Geschaefsfuehrer: Peter Haefele,
Carl Schulte
UStId DE237971721
WEEE Reg. Nr. 66110125

declaration of conformity

Hereby we declare, HS-Group GmbH & Co.KG, Escherstr. 31, 50733 D-Cologne, that this product is in compliance with the essential requirements and other relevant provisions of Directive 2014/53/EU.

The declaration of conformity for this product can be found at: www.froggit.de or on request.